

Operating manual

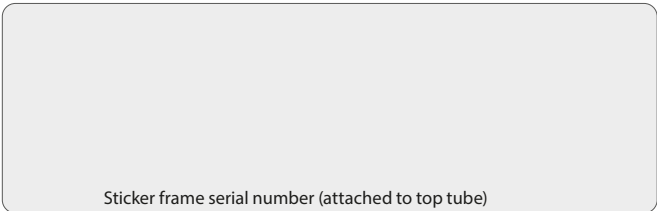
AERIUM C:68X / C:68 TT

Legal notice

Status: 12.03.2024

Pending System GmbH & Co. KG
Ludwig-Hüttner-Str. 5-7
95679 Waldershof
Telephone: +49(0) 9231-97 007 80
Fax: +49(0) 9231-97 007 199
E-mail: info@cube.eu
Internet: www.cube.eu

23_TA-C_DE, 2, en_US
© 2024



Sticker frame serial number (attached to top tube)

Table of contents

1	General information	4	8	In-frame hydration (Aerium C:68X)	20
1.1	Field of application / system weight.....	4	8.1	Installing the in-frame hydration.....	21
1.2	Technical data and compatibility.....	4	8.2	Removing the in-frame hydra- tion.....	23
2	Delivery contents	6	8.3	In-frame hydration: cleaning and care.....	23
2.1	AERIUM C:68X frameset.....	6	9	Warranty/guarantee/CCR	24
2.2	AERIUM C:68 TT frameset.....	7			
2.3	Aero bars.....	8			
2.4	Hydration system & storage box (Aerium C:68X).....	9			
2.5	Hydration system & storage box (Aerium C:68 TT).....	11			
3	Tightening torques	12			
3.1	Frame.....	12			
3.2	Cockpit.....	13			
4	Shifter cable lengths	13			
4.1	Frame.....	13			
4.2	Cockpit.....	14			
5	Seatpost/saddle	16			
5.1	Overview.....	16			
5.2	Installing the seatpost.....	16			
5.3	Installing the saddle.....	17			
5.4	Installing the Ritchey 1-bolt clamp.....	17			
6	Storage box	17			
6.1	Preparing the storage box.....	17			
6.2	Installing the storage box.....	18			
6.3	Cleaning the storage box.....	18			
7	Hydration system	19			
7.1	Installation.....	19			
7.2	Removal.....	19			
7.3	Attaching and removing the lid.....	20			
7.4	Cleaning.....	20			

1 General information

Dear Customer, We would like to thank you for choosing a bike from our company and thank you for placing your trust in us.

With this purchase of a CUBE Aerium, you have acquired a high-quality, sophisticated bicycle built for training and competition.

Your CUBE dealer will also be very important to you following the advice and final assembly stages. They are your point of contact for servicing, inspections, modifications and all types of repairs. Should you have any questions regarding our product, please contact your CUBE dealer.

The Aerium series models require precision adjustment to suit the individual rider.

This instruction manual aims to familiarise you with the technical details and the wide range of adjustments possible with the Aerium series, to help you get the most out of yourself and your bicycle. Please also visit the Aerium product page on our website for further information.



NOTICE

Dealer

To ensure maximum safety, all set-up changes and technical modifications should be carried out in conjunction with your authorised dealer.

1.1 Field of application / system weight

Field of application

Your CUBE Aerium is designed for riding on paved surfaces, such as asphalt roads and cycle paths. During use, the wheels must be in constant contact with the ground (no jumping, no riding on a wheel, no braking where the rear wheel loses contact with the ground).



WARNING

For your safety, please note the classification of your model. Only use your bicycle in accordance with its designated use category.

Max. system weight: 115kg

The system weight refers to the maximum permissible total mass. This must not be exceeded under any circumstances.

1.2 Technical data and compatibility

Description	Compatibility
Brakes	Flat mount 140/160mm, hydraulic disc brakes
Bottom bracket	BB 86.5mm Press Fit (41mm)
Chainring	<u>AERIUM C:68X</u> Max. 55T with standard FD mount (#10558) Max. 56T (SRAM)/58T (Shimano) with special FD mount (#4177) <u>AERIUM C:68TT</u> Max. 56T
Power meter	Stages, Quarq, SRM, Shimano, 4iiii, power2max
Tyre width	<u>AERIUM C:68X</u> Max. 30mm <u>AERIUM C:68TT</u> Max. 25mm
Derailleur hanger	<u>AERIUM C:68X</u> #8654 (standard – SRAM), #8655 (direct – Shimano) <u>AERIUM C:68TT</u> #10240 (standard – SRAM), #10633 (direct – Shimano)
Shifting	Compatible with electronic shifting only: SRAM eTap AXS/Shimano Di2
Thru-axle	FW: Newmen Evolution X12 (12x100mm/M12x1) RW: Newmen Evolution X12 (12x142mm/M12x1)
Headset	<u>AERIUM C:68X</u> Top: 1 1/8in Acros IS41 AC3041 Bottom: 1 1/4in Acros AC3544R1 <u>AERIUM C:68 TT</u>

Description	Compatibility
	Top: 1 1/8in VP integrated Bottom: 1 1/8in VP integrated

Accessories and modifications



WARNING

Many cyclists want to alter their bike and adapt it to their own requirements. Saddle, handlebar, pedals, brakes, tyres, drivetrain components – there are many ways to modify your bike.

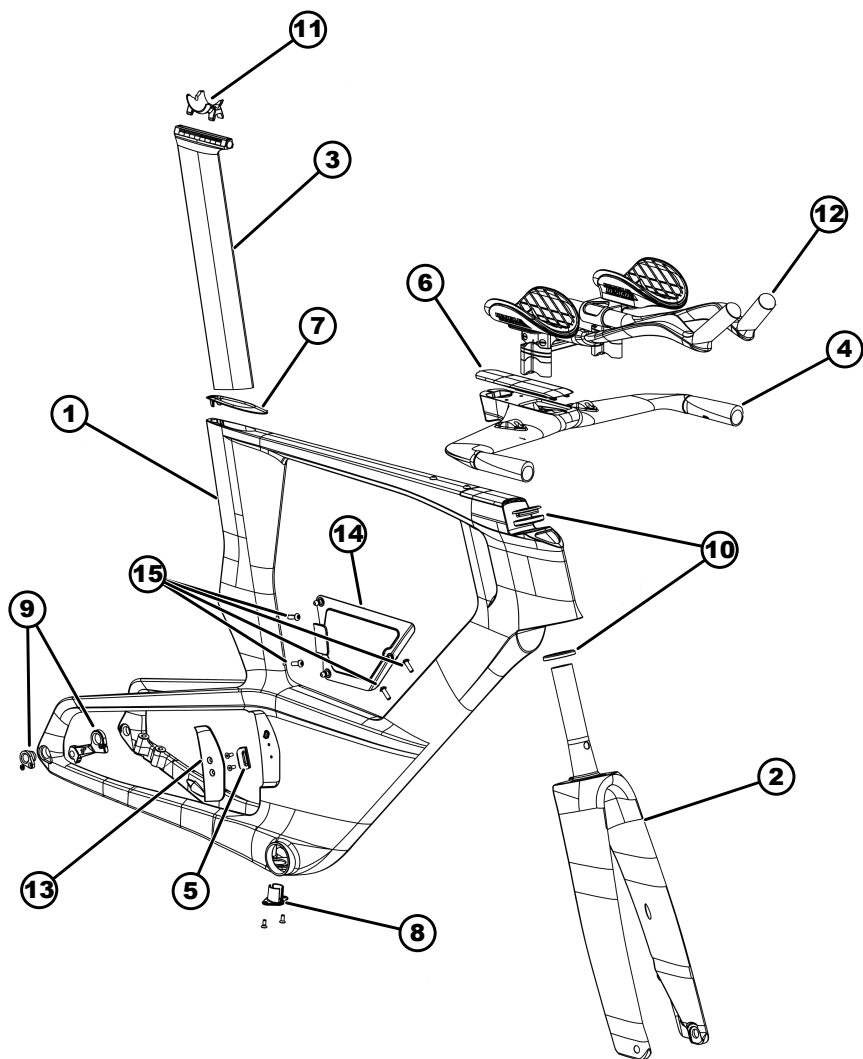
Work done on the bike, even if it seems simple, requires thorough training, sound knowledge and a lot of experience.

Unprofessional work done on your bike can lead to dangerous riding situations, falls, accidents and material damage.

- Use only EN-certified parts and accessories. This is with the exception of bike computers and bottle cages, provided they are chosen and installed by an authorised dealer.
- Please consult your CUBE dealer when selecting parts and accessories.

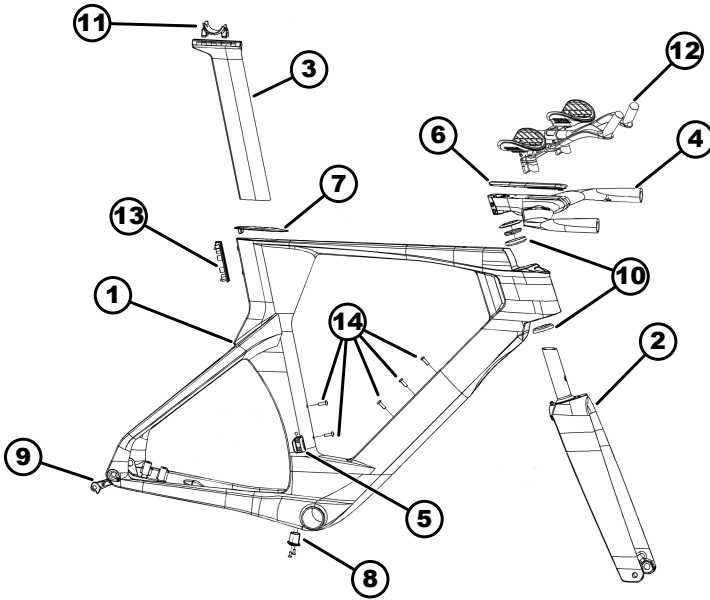
2 Delivery contents

2.1 AERIUM C:68X frameset



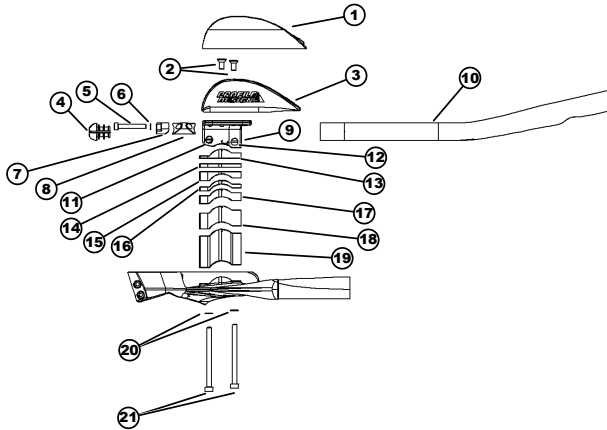
- | | | | |
|---|---------------------------------|----|---|
| 1 | Frame | 9 | Derailleur hanger (standard/direct mount) |
| 2 | Fork | 10 | Headset |
| 3 | Seatpost | 11 | Saddle clamp |
| 4 | Basebar-stem combination | 12 | Aero bars |
| 5 | Front derailleur mount/braze-on | 13 | Front derailleur cap |
| 6 | Stem cover | 14 | In-frame hydration cover |
| 7 | Seat tube seal | 15 | Bottle cage bolts |
| 8 | Di2 battery plug | | |

2.2 AERIUM C:68 TT frameset



- | | | | |
|---|---------------------------------|----|---|
| 1 | Frame | 8 | Di2 battery plug |
| 2 | Fork | 9 | Derailleur hanger (standard/direct mount) |
| 3 | Seatpost | 10 | Headset |
| 4 | Basebar-stem combination | 11 | Saddle clamp |
| 5 | Front derailleur mount/braze-on | 12 | Aero bars |
| 6 | Stem cover | 13 | Seatpost clamp |
| 7 | Seat tube seal | 14 | Bottle cage bolts |

2.3 Aero bars



- | | | | |
|----|-----------------------|----|--|
| 1 | Arm rest pad | 12 | Cylindrical nut, front |
| 2 | Arm rest fixing bolts | 13 | Safety bridge spacer, top |
| 3 | Arm rest | 14 | 5mm safety bridge (if using more than 40mm of spacers) |
| 4 | Extension end plug | 15 | Safety bridge spacer, bottom |
| 5 | Clamp bolt | 16 | 5mm spacer |
| 6 | Clamp washer | 17 | 10mm spacer |
| 7 | Clamp wedge, part 1 | 18 | 20mm spacer |
| 8 | Clamp wedge, part 2 | 19 | 40mm spacer |
| 9 | Bracket | 20 | Washer for bracket bolt |
| 10 | Extension | 21 | Bracket bolts |
| 11 | Cylindrical nut, rear | | |



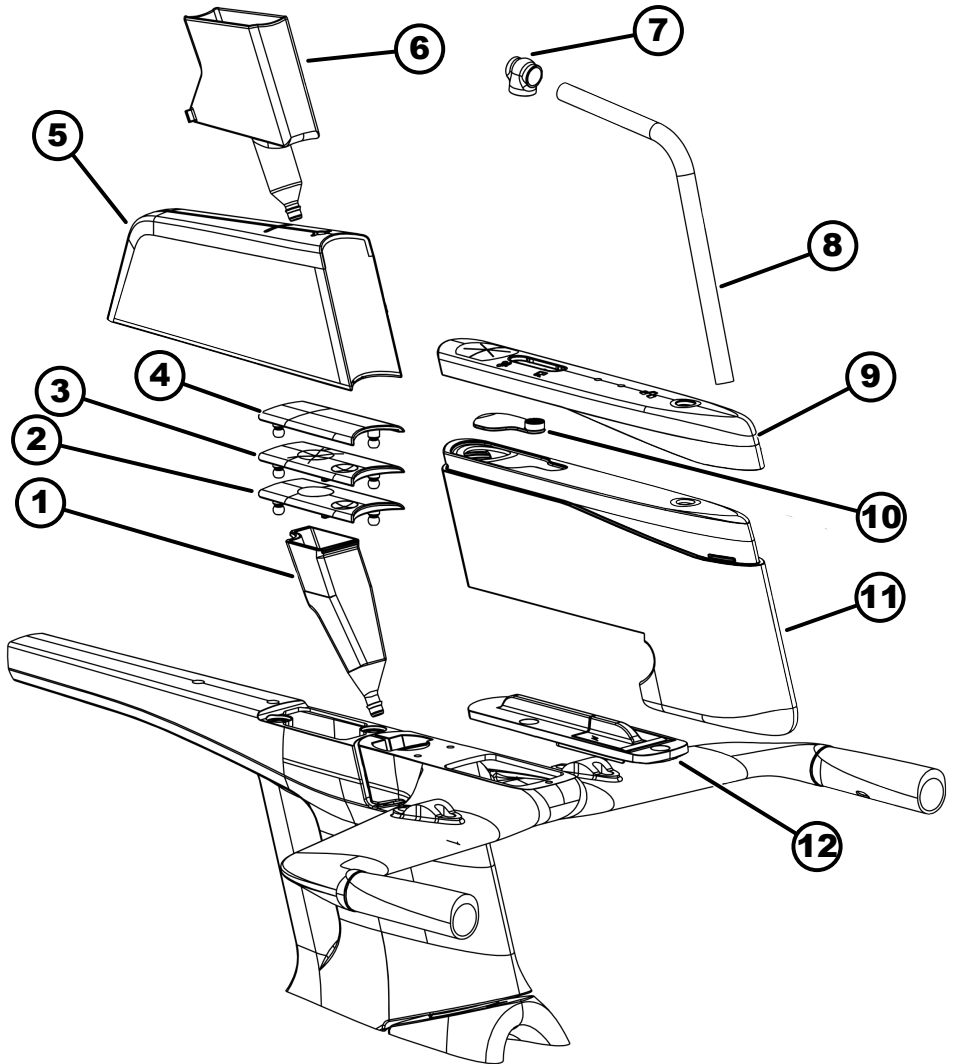
NOTICE

Use 5mm safety bridge!

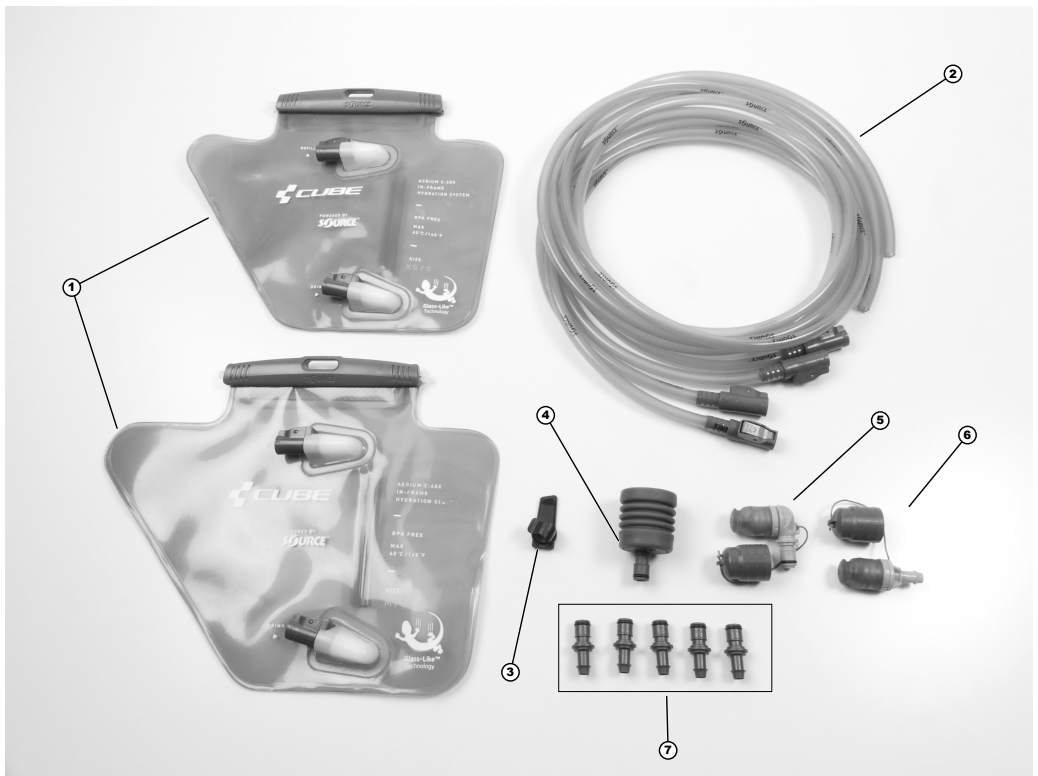
If using more than 40mm of spacers, **Pos. 14** (5mm safety bridge) must be installed.

We do not accept as a defect any consequential damage resulting from a failure to follow the instructions provided

2.4 Hydration system & storage box (Aerium C:68X)



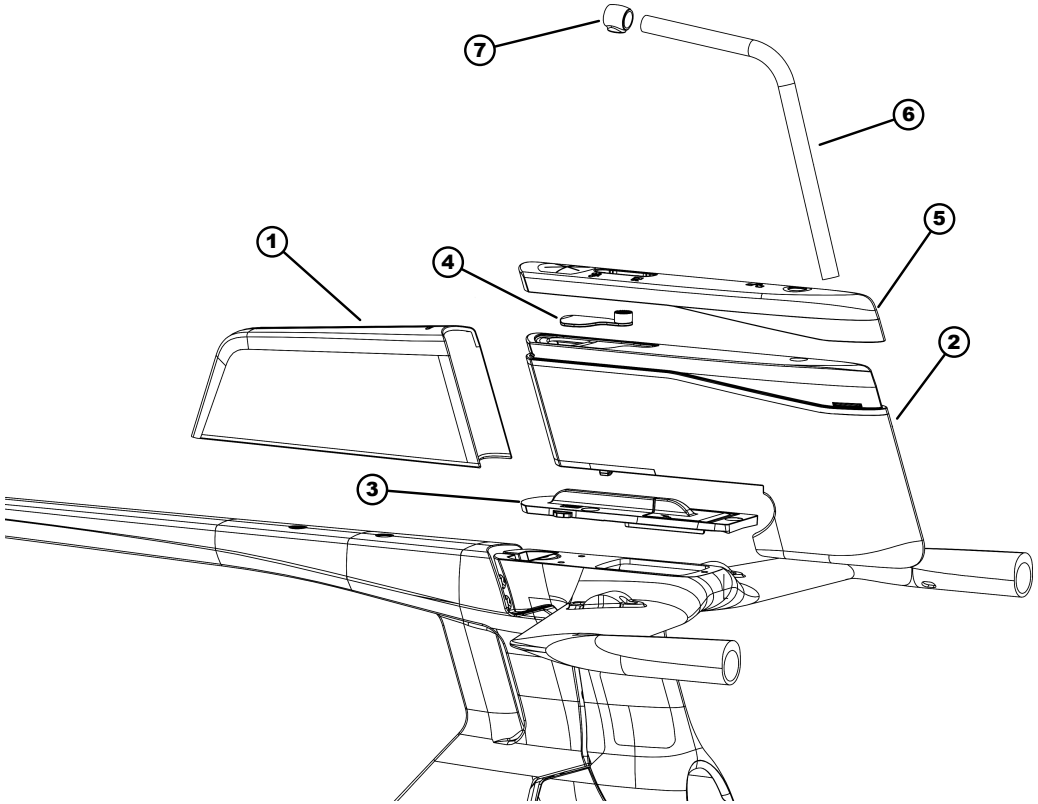
- | | | | |
|---|--|----|-------------------------|
| 1 | In-frame hydration funnel | 7 | Straw holder |
| 2 | In-frame hydration funnel lid (slot at front) | 8 | Straw |
| 3 | In-frame hydration funnel lid (slotted front & rear) | 9 | Hydration system lid |
| 4 | In-frame hydration lid (closed) | 10 | Hydration system slider |
| 5 | Storage box | 11 | Hydration system |
| 6 | Storage box in-frame hydration funnel | 12 | Stem adapter plate |



- 1 Hydration bladders (size XS-S/M-L)
- 2 Drinking/filling hoses (4x @ 150cm)
- 3 Magnetic holder
- 4 Universal Tube Adapter

- 5 SQC drinking valve
- 6 Drinking valve
- 7 SQC quick connector

2.5 Hydration system & storage box (Aerium C:68 TT)

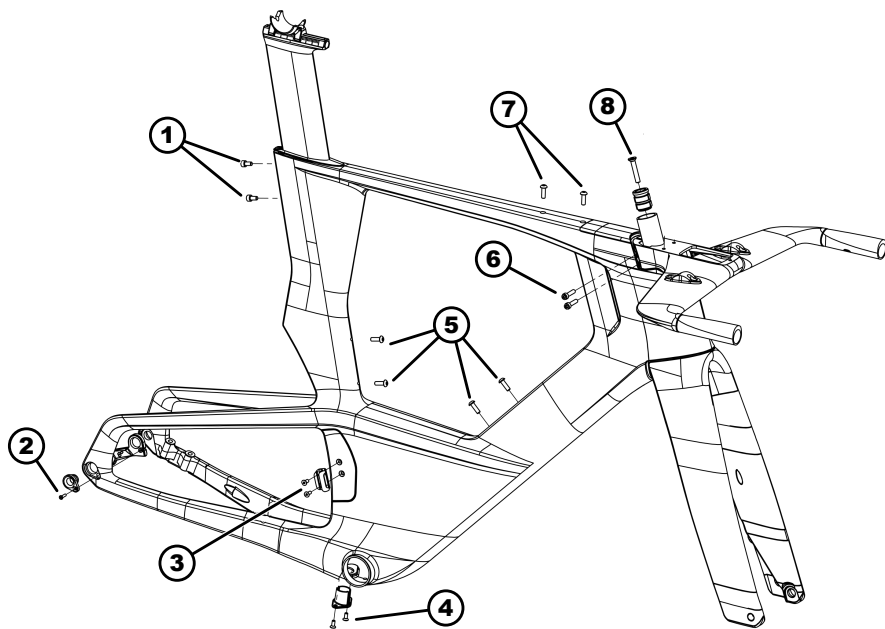


- 1 Storage box (#34096)
- 2 Hydration system (#34174)
- 3 Stem adapter plate (#34174)
- 4 Hydration system slider (#34174)

- 5 Hydration system lid (#34174)
- 6 Straw (#34174)
- 7 Straw holder (#32765)

3 Tightening torques

3.1 Frame



1 Seatpost clamp: **6 Nm**

2 Derailleur hanger: **1 Nm/hand tight**

3 Braze-on/cap: **2 Nm**

4 Battery plug: **1 Nm/hand tight**

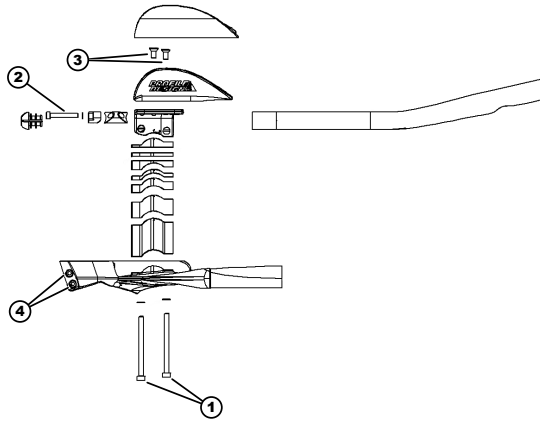
5 Bottle cage: **3 Nm**

6 Stem: **5 Nm**

7 Storage: **3 Nm**

8 Top cap: **1 Nm/hand tight**

3.2 Cockpit

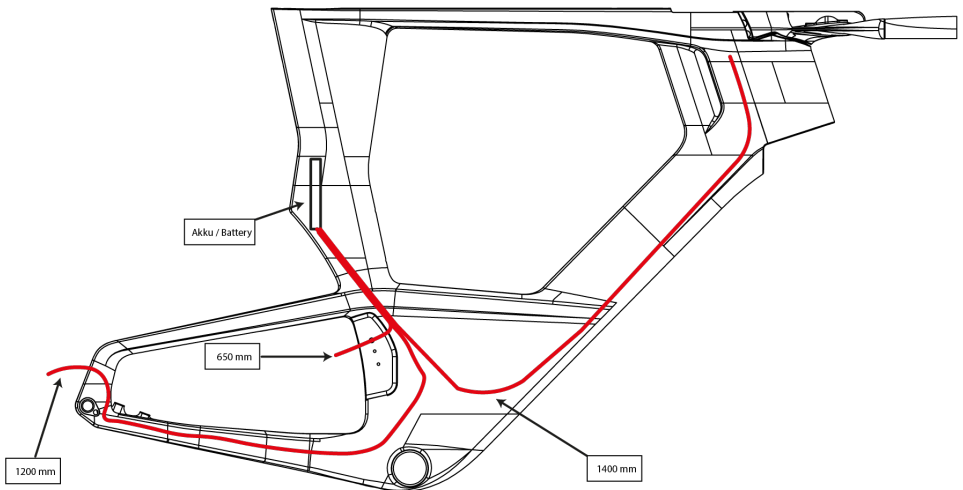


- 1 Bracket: **6 Nm**
- 2 Extensions: **5 Nm**
- 3 Arm rests: **5 Nm**
- 4 Stem: **5 Nm**

4 Shifter cable lengths

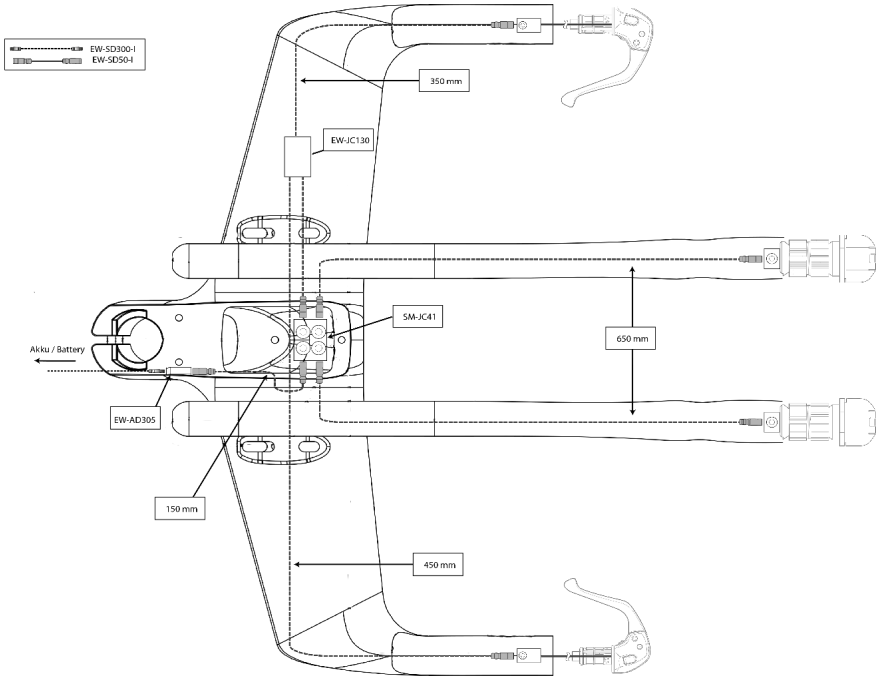
4.1 Frame

Shimano Di2

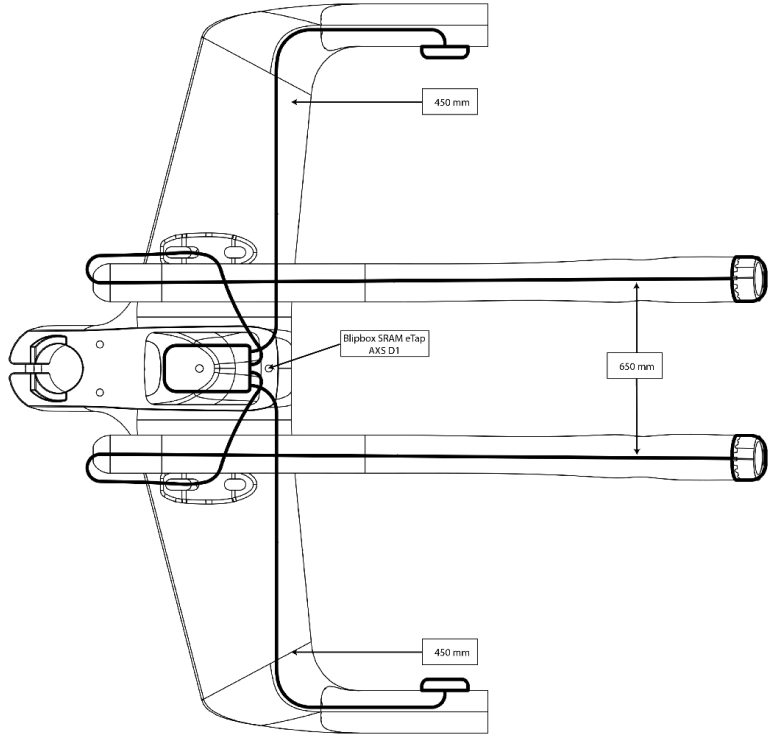


4.2 Cockpit

Shimano Di2

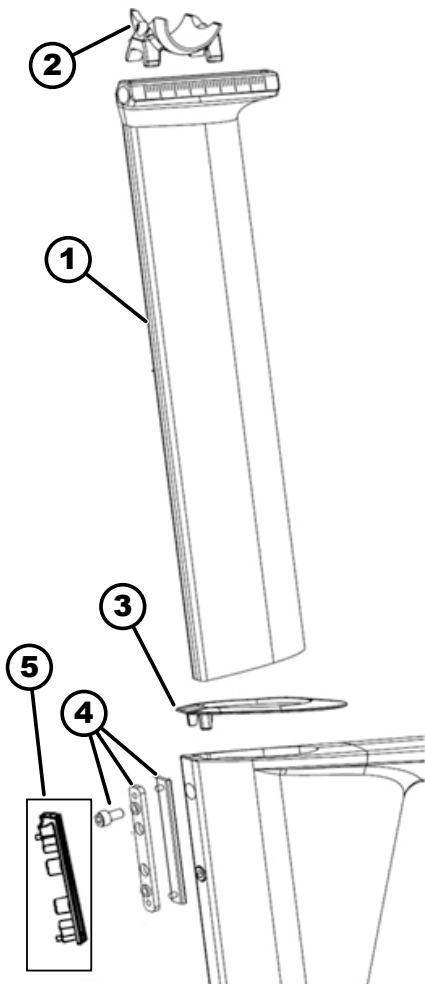


SRAM eTap AXS



5 Seatpost/saddle

5.1 Overview



- 1 Seatpost (#57552)
- 2 Saddle clamp (#33346 [7x7mm] / # 33347 [7x9.6mm])
- 3 Seat tube seal (#34023)
- 4 Seatpost clamp (#32323)
- 5 Aeriium C:68 TT seatpost clamp adapter (#3562)



DANGER

Before every ride, check the seatpost and saddle are correctly installed.

5.2 Installing the seatpost

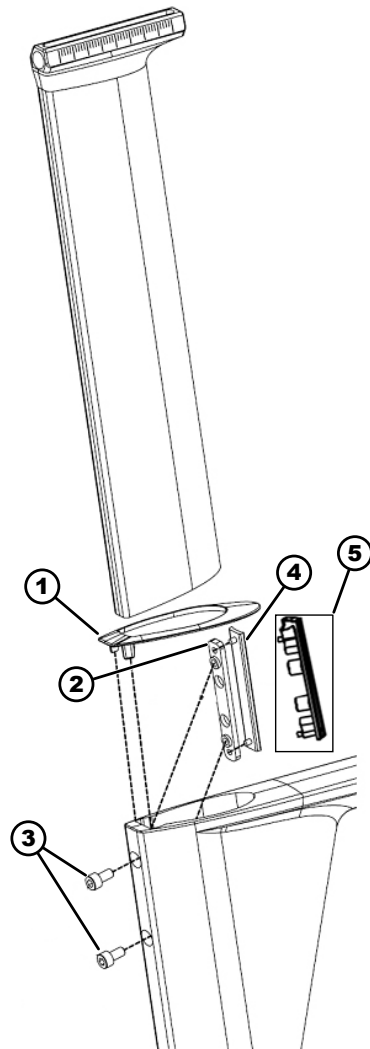


Fig. 1: Aeriium seatpost installation

Remove the cover (1) on the top tube, in order to install the magnetic adapter plate (2) in the seat tube for affixing the bolts. Proceed as shown in the detailed illustration.

Start with the threaded plate (2). Place it into the recess (3) in the seat tube and then loosely tighten the bolts (3) from the outside, so that the threaded plate cannot fall into the seat tube. Now attach the magnetic counterpart (4) - **Aeriium C:68X** or (5) - **Aeriium C:68 TT** to the threaded plate in the seat tube.

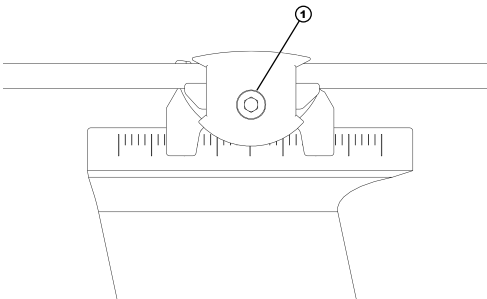
The seatpost is fixed into place via two bolts **(3)** on the rear of the seat tube. Tighten the bolts to the specified torque (**max. 5-6 Nm**). The bolts push the clamping plate against the seatpost to keep it securely in place in the frame.

5.3 Installing the saddle



The saddle can be simply and safely installed using the Ritchey 1-bolt clamp included with delivery. To enable the installation of various saddle models, in addition to the 7x7mm clamps for standard seat stays, a 7x9.6mm clamp for oversized carbon seat stays is also included with delivery.

5.4 Installing the Ritchey 1-bolt clamp



To install the saddle, loosen the transverse retaining bolt **(1)** as far as possible, without loosening the locking nut on the opposite side of the clamp. As a general rule, you do not have to disassemble the whole mechanism if it has already been equipped with the appropriate external clamp (7x7mm/7x9.6mm) for your saddle model. Then thread the saddle rails into the clamping mechanism and place it on the seatpost.

When affixing the saddle, check that the mounting mechanism of the seatpost is clamped in the middle. Now gradually tighten the retaining bolt **(1)** and make sure that the clamping mechanism is still sitting precisely in its correct location on the seatpost, and that the saddle rails are equally gripped by both sides of the clamp.

Now tighten the retaining bolt **(1)** until you reach the maximum torque specified by the saddle manufacturer.



DANGER

The saddle must be clamped to the seatpost only within the area indicated by the scale. Note the stop markings on the saddle and do not exceed these. Information about your saddle and about correct clamping can be found in the manufacturer's user manual.

Please always observe the maximum torque specified by the saddle manufacturer for clamping the saddle.

6 Storage box

6.1 Preparing the storage box

To protect against damage during transport, the storage box is supplied in a closed state.



In order to open the box prior to initial use, the locking tab must be cut open at the marked point using a sharp blade, as shown.



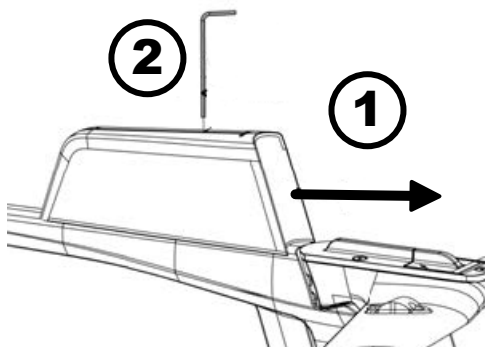
6.2 Installing the storage box

1. → The mounting bolts must project out at least 7mm in order to attach the storage box. Now position the storage box on the top tube using the holes for the bolt heads, as shown.



2. → Slide the storage box as shown towards the front (in the direction of the cockpit), until the bolt heads engage into the intended slot (1).

Tighten the bolts to the correct torque (max. 2.5 Nm) (2).



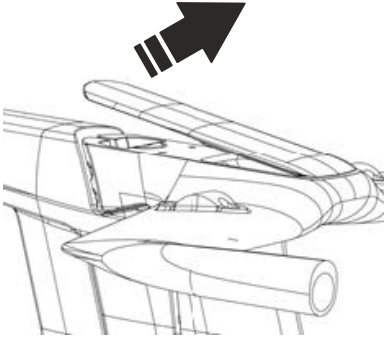
6.3 Cleaning the storage box

The storage box must be removed from the top tube for cleaning purposes. Push on the lid from the inside to remove for better access to the interior. Please use warm water and washing-up liquid for cleaning. Alternatively, wash at a maximum of 45°C in the dishwasher.

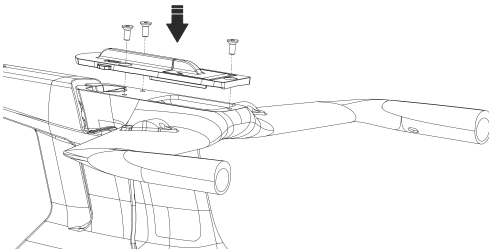
7 Hydration system

7.1 Installation

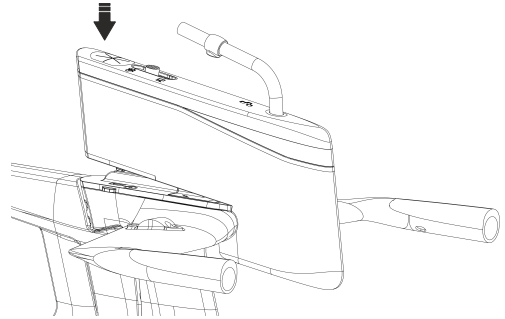
1. → Remove the stem cover by lifting it up until the magnetic connection disengages.
Then pull the cover backwards and off.



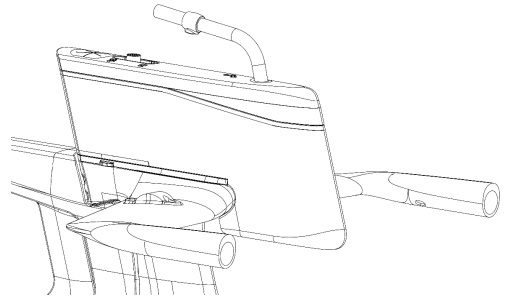
2. → Attach the magnetic adapter plate to the basebar using three bolts and tighten to the correct torque (max. 2.5 Nm).



3. → Introduce the bottle to the basebar from the front.

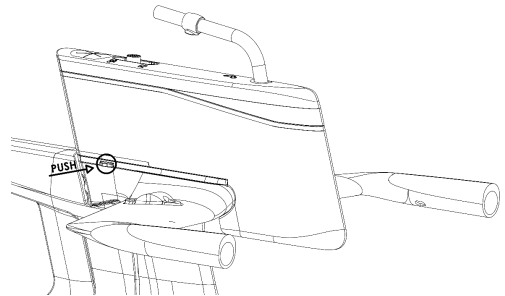


- The magnetic click system pulls the bottle into the correct position and holds it firmly in place.

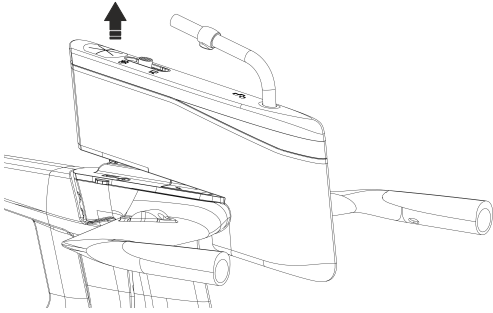


7.2 Removal

1. → To remove the hydration system, press and hold the button on the right-hand side of the adapter plate to disengage the retention mechanism.



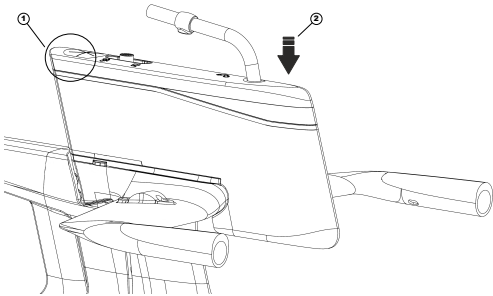
2. → The system can now be pulled upwards and away from the adapter plate.



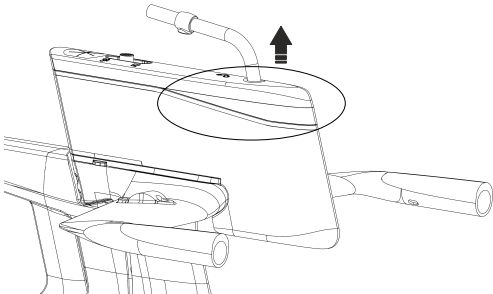
7.3 Attaching and removing the lid

To correctly attach the lid, first place the rear edge of the lid on the hydration system (1).

Then tilt the lid down from the back to the front and onto the bottle, and press firmly (2). Make sure the slider is correctly positioned over the filling opening.



To remove the lid, grasp it by the groove on the front edge of the bottle and pull upwards.



7.4 Cleaning

All the components of the hydration system are dishwasher-proof up to 45°C for simple, easy cleaning. They can also be hand-washed with soap and warm water. Be careful not to use harsh scouring agents or abrasive sponges, so as to avoid any permanent clouding of the bottle.



NOTICE

Clean your hydration system on a regular basis to prevent the build-up of residue.

8 In-frame hydration (Aerium C:68X)

Your Aerium C:68X is also compatible with the in-frame hydration system included with delivery, which can carry at least 750ml of on-board liquids.

There are several ways to set up the in-frame hydration system to best suit your needs.

We recommend the following standard set-ups:

- In-frame hydration with refill option using frame funnel



- In-frame hydration with refill option using Universal Tube Adapter



- In-frame hydration with refill option using storage box



8.1 Installing the in-frame hydration

Depending on which set-up you choose, you will require a filling hose in addition to the drinking tube.

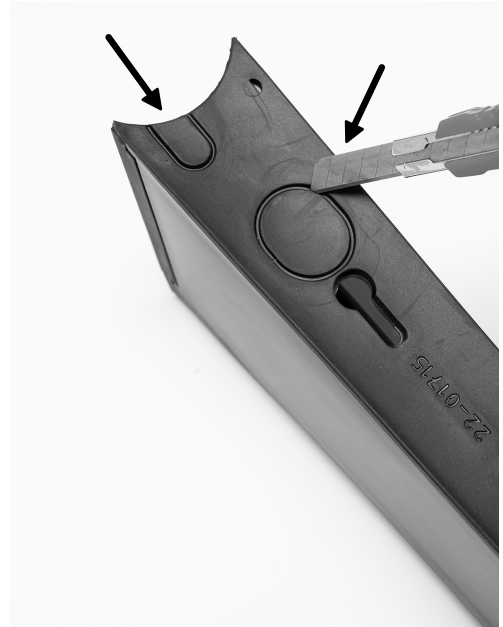
We recommend the following hose lengths for the respective set-up and frame size:

Frame size	Filling hose (storage)	Filling hose (in-frame)	Hydration system (storage)	Hydration system (in-frame)
XS	48cm	43cm	99cm	91cm
S	50cm	45cm	101cm	93cm
M	53cm	48cm	103cm	94cm
L	55.5cm	50cm	105cm	95cm

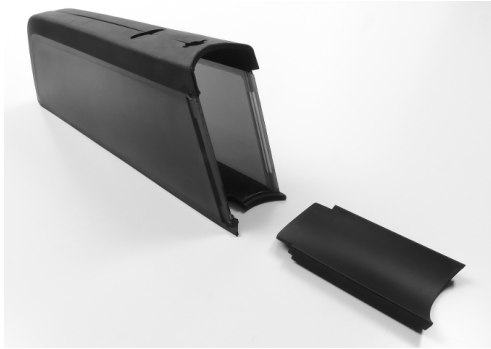
Important information when using the storage box

If you have selected a set-up using the storage box, you must prepare the box for initial use.

The two openings are closed on delivery and must be opened using a sharp blade to allow insertion of the hoses.



To facilitate the hose routing, the front cover of the storage box can be removed by pulling firmly.



Prior to installation, we recommend you remove the hoses from their packaging to enable them to straighten back out.

1. → Trim the hoses down to the required length.
2. → Remove the in-frame hydration cover by the bottom bracket.



3. → Thread the hoses from the top tube through the down tube to the in-frame hydration area by the bottom bracket

4. → Select the correct hydration bladder for your frame size (XS-S/M-L) and connect it to the hoses.



5. → Insert the hydration bladder into the frame.



6. → Attach the in-frame hydration cover by the bottom bracket.



7. → Affix the required lid on the top tube according to your choice of set-up.

8.2 Removing the in-frame hydration

The hydration bladder must be completely emptied prior to removal. To remove, follow the installation instructions in reverse order.

8.3 In-frame hydration: cleaning and care

If used with normal water, SOURCE bladders do not require special cleaning, drying or emptying.

However, we recommend cleaning the bladder if you use it with sweetened or isotonic drinks or if it has been unused for a longer period of time:

1. → Disconnect both hoses and remove the closure from the bladder.
2. → Wash the bladder with lukewarm soapy water and use a soft brush to dislodge any stubborn residue.
3. → Hang the bladder upside down and leave it to air dry.

9 Warranty/guarantee/CCR

Warranty and voluntary guarantee

In principle, we grant a statutory warranty on all products, i.e. 2 years from the date of purchase.

In addition, we offer added service with respect to frame breakages, which goes beyond the statutory warranty, as follows.



NOTICE

Carbon-fibre frames and forks:
3-year voluntary manufacturer's guarantee

This voluntary manufacturer's guarantee is granted for the above-mentioned period from the date of purchase, provided that your CUBE bike was bought from an official CUBE dealer.

This guarantee is solely for the benefit of the initial purchaser of the bike.

If the product is transferred from the first purchaser to another person, the voluntary manufacturer's guarantee becomes obsolete.

The guarantee applies exclusively to the frame. The cost of any mounted parts additionally required due to technical modifications to the frame or fork models over the years are to be borne by the customer.

CUBE CRASH REPLACEMENT (CCR)



NOTICE

This exchange service is designed to provide you with an uncomplicated and cost-effective exchange following a crash, where this results in obvious damage to carbon frames and forks, or where damage to them cannot be ruled out.

This service can be utilised at any time within the three-year voluntary manufacturer's guarantee.

Your point of contact for claims arising from the statutory warranty or from our voluntary manufacturer's guarantee, or from our CCR, is always the CUBE dealer from whom you purchased the product.



DANGER

The manufacturer is not responsible and cannot be held liable for accidents and injuries caused by improper use, or disregard for the instruction manual, incorrect adjustments or by neglect or excessive wear.